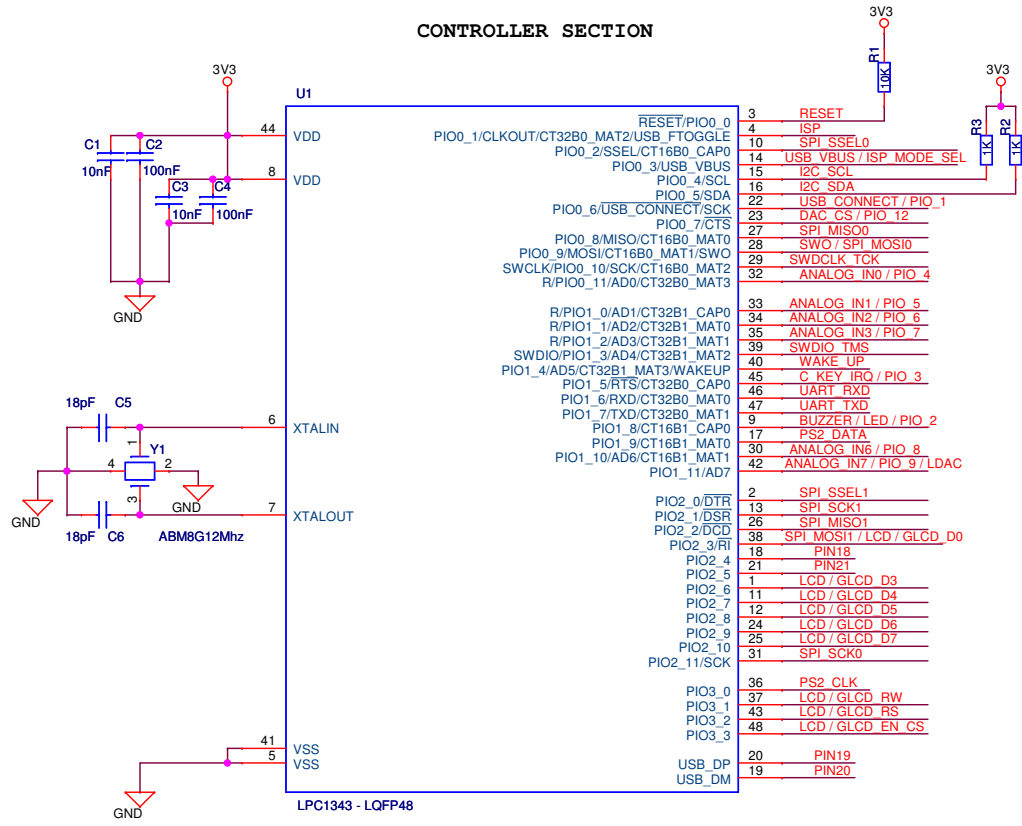
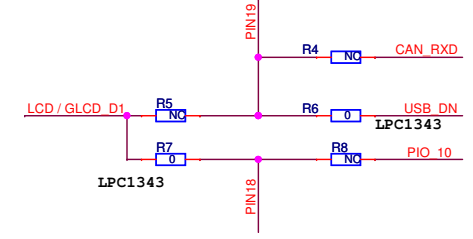
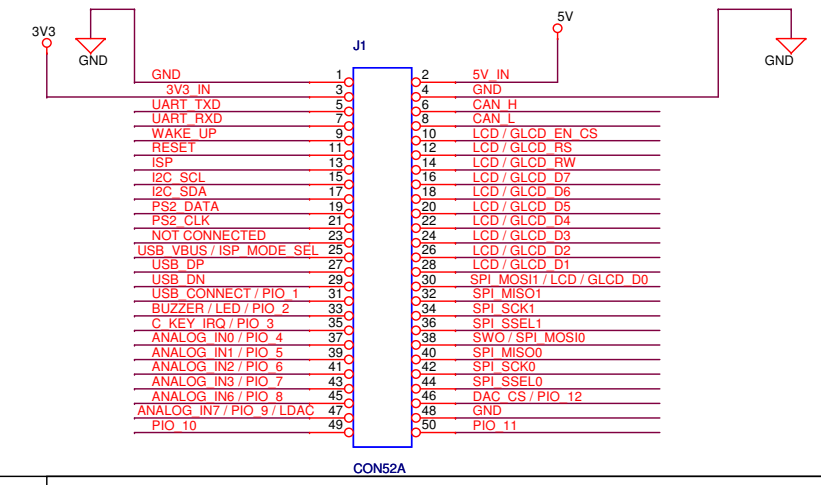


CONTROLLER SECTION

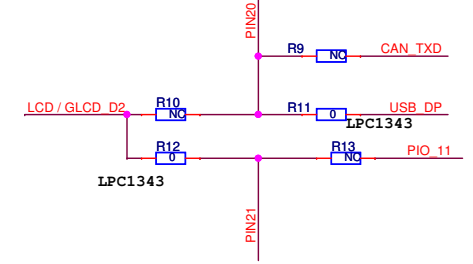


3	RESET	33	ANALOG IN1 / PIO 5
4	ISP	34	ANALOG IN2 / PIO 6
10	SPI SSEL0	35	ANALOG IN3 / PIO 7
14	USB VBUS / ISP MODE_SEL	39	SWDIO TMS
15	I2C_SCL	40	WAKE UP
16	I2C_SDA	45	C KEY IRQ / PIO 3
22	USB_CONNECT / SCK1	46	UART_RXD
23	DAC_CS / PIO 12	47	UART_TXD
27	SPI_MISO0	9	BUZZER / LED / PIO 2
28	SWO / SPI_MOSI0	17	PS2_DATA
29	SWDCLK_TCK	30	ANALOG IN6 / PIO 8
32	ANALOG IN0 / PIO 4	42	ANALOG IN7 / PIO 9 / LDAC
33	ANALOG IN1 / PIO 5	2	SPI_SSEL1
34	ANALOG IN2 / PIO 6	13	SPI_SCK1
35	ANALOG IN3 / PIO 7	26	SPI_MISO1
39	SWDIO TMS	38	SPI_MOSI1 / LCD / GLCD_D0
40	WAKE UP	18	PIN18
45	C KEY IRQ / PIO 3	21	PIN21
46	UART_RXD	1	LCD / GLCD_D3
47	UART_TXD	11	LCD / GLCD_D4
9	BUZZER / LED / PIO 2	12	LCD / GLCD_D5
17	PS2_DATA	24	LCD / GLCD_D6
30	ANALOG IN6 / PIO 8	25	LCD / GLCD_D7
42	ANALOG IN7 / PIO 9 / LDAC	31	SPI_SCK0
2	SPI_SSEL1	36	PS2_CLK
13	SPI_SCK1	37	LCD / GLCD_RW
26	SPI_MISO1	43	LCD / GLCD_RS
38	SPI_MOSI1 / LCD / GLCD_D0	48	LCD / GLCD_EN_CS
18	PIN18	20	PIN19
21	PIN21	19	PIN20
1	LCD / GLCD_D3		
11	LCD / GLCD_D4		
12	LCD / GLCD_D5		
24	LCD / GLCD_D6		
25	LCD / GLCD_D7		
31	SPI_SCK0		
36	PS2_CLK		
37	LCD / GLCD_RW		
43	LCD / GLCD_RS		
48	LCD / GLCD_EN_CS		
20	PIN19		
19	PIN20		

PINOUT

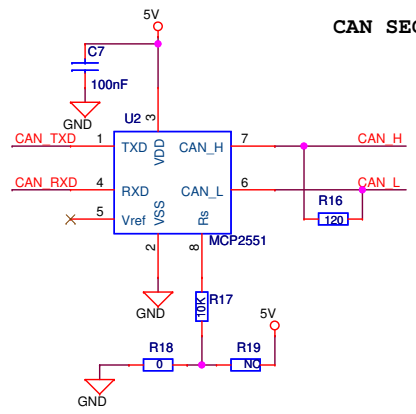


CONTROLLER SELECTOR SECTION



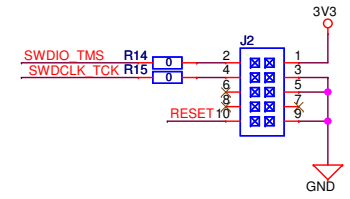
NOTE: THESE FOUR '0' OHM RESISTORS ARE NEAREST TO THE SYMBOL 'U' ON PH BOARD (TOP RIGHT CORNER).

CAN SECTION



CAN SECTION IS NOT POPULATED

SWD_CONNECTOR



COINEL TECHNOLOGY SOLUTIONS LLP

Title		
PH BOARD(LPC1343) FOR FLYER		
Size B	Document Number <Doc>	Rev 1.0
Date:	Tuesday, July 03, 2012	Sheet 1 of 1