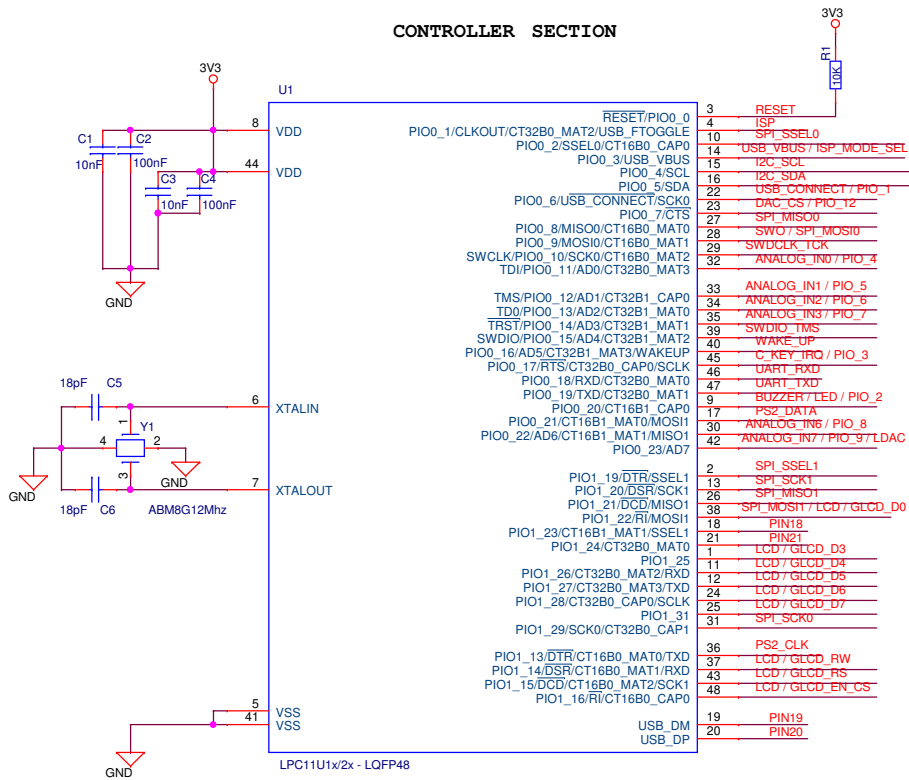
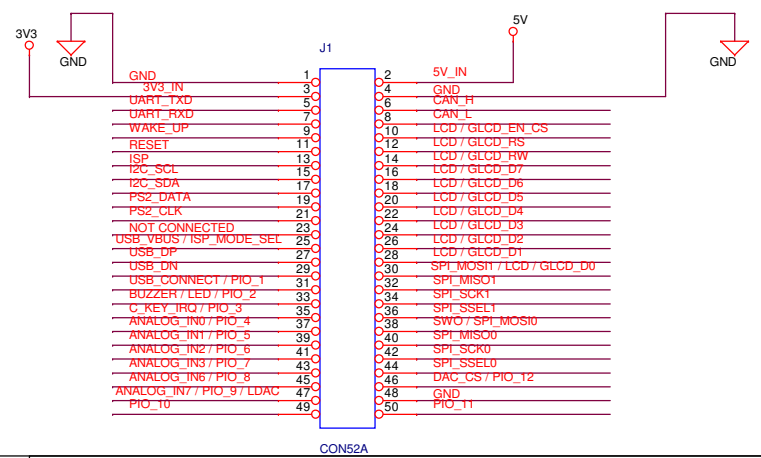


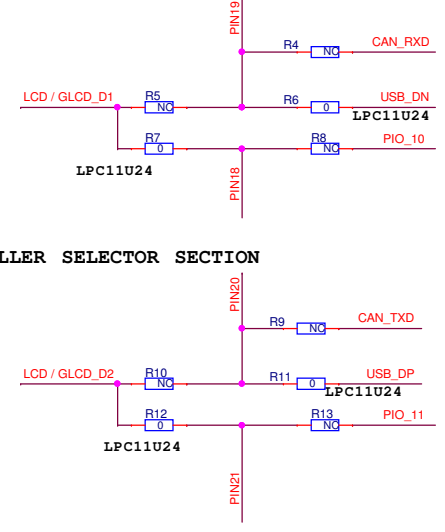
CONTROLLER SECTION



PINOUT

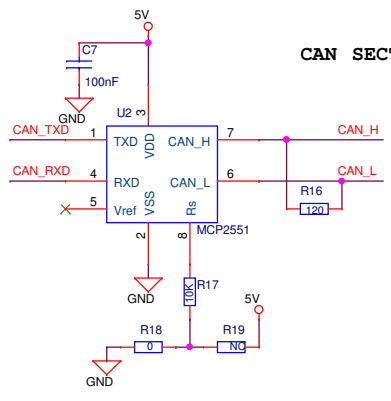


CONTROLLER SELECTOR SECTION



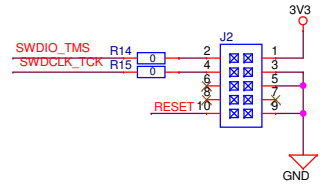
NOTE: THESE FOUR '0' OHM RESISTORS ARE NEAREST TO THE SYMBOL "U" ON PH BOARD (TOP RIGHT CORNER) .

CAN SECTION



CAN SECTION IS NOT POPULATED

SWD_CONNECTOR



COINEL TECHNOLOGY SOLUTIONS LLP

Title		
PH BOARD(LPC11Uxx) FOR FLYER		
Size	Document Number	Rev
B	<Doc>	1.0
Date:	Tuesday, July 03, 2012	Sheet 1 of 1